

Stirling engine gamma type + permanent magnet generator

Engine specifications

Materials:

Heat exchanger and heat sink: stainless steel AISI 310

Regenerator: Stainless Steel mesh

Engine block: Aluminium

Con/rods: Aluminium

Crankshaft: Steel

Power piston: Aluminium. Molybdenum coated for perfect sealing and minimum friction

Displacer piston: Stainless steel AISI 316L

Displacer cylinder: Stainless steel AISI 316L and AISI 310

Crankcase: Aluminium

Main characteristics:

Swept volume: 188 cc

Working gas: air (Nitrogen) or helium

Overpressure: up to 50 bars

Operating temperature (hot side)
 750 °C

Starting temperature (hot side)
 500 °C

RPM (on load) 600

Lubrication: no need

Permanent magnet generator

Maintenance: inspection every 5000 working hours

Overall dimensions: (approx)
 520 mm x 550 mm x 320 mm

Performances:

Electric output (DC) up to 1.00 Kw el
 Can work 24 hour / 7 days continuously

Prices and conditions:

Two cylinders: 11.000 €

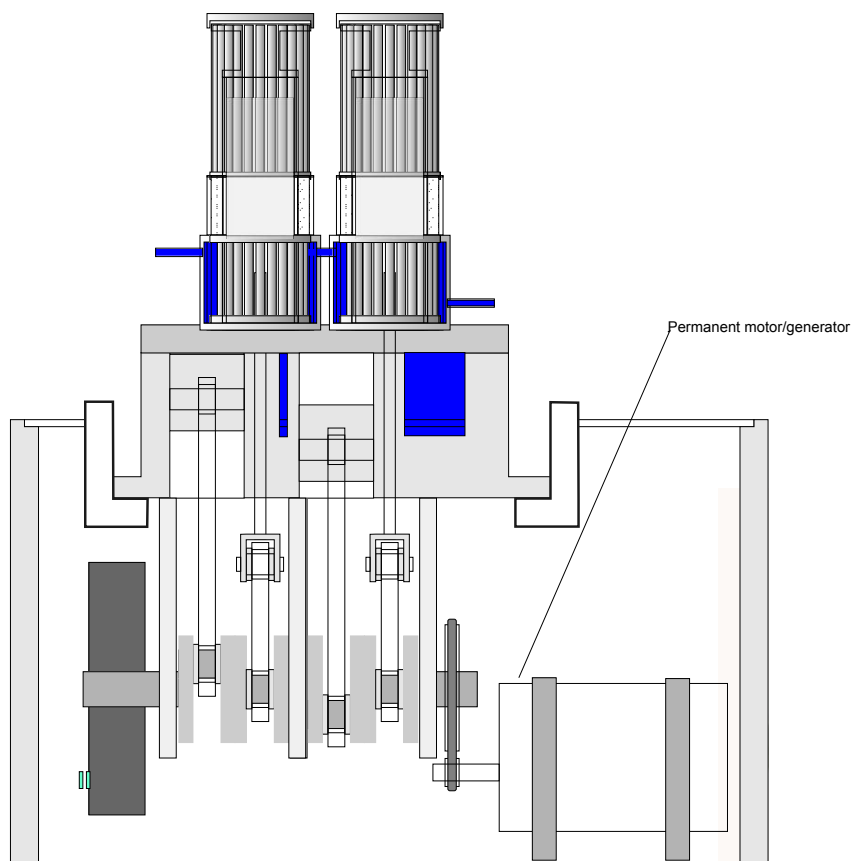
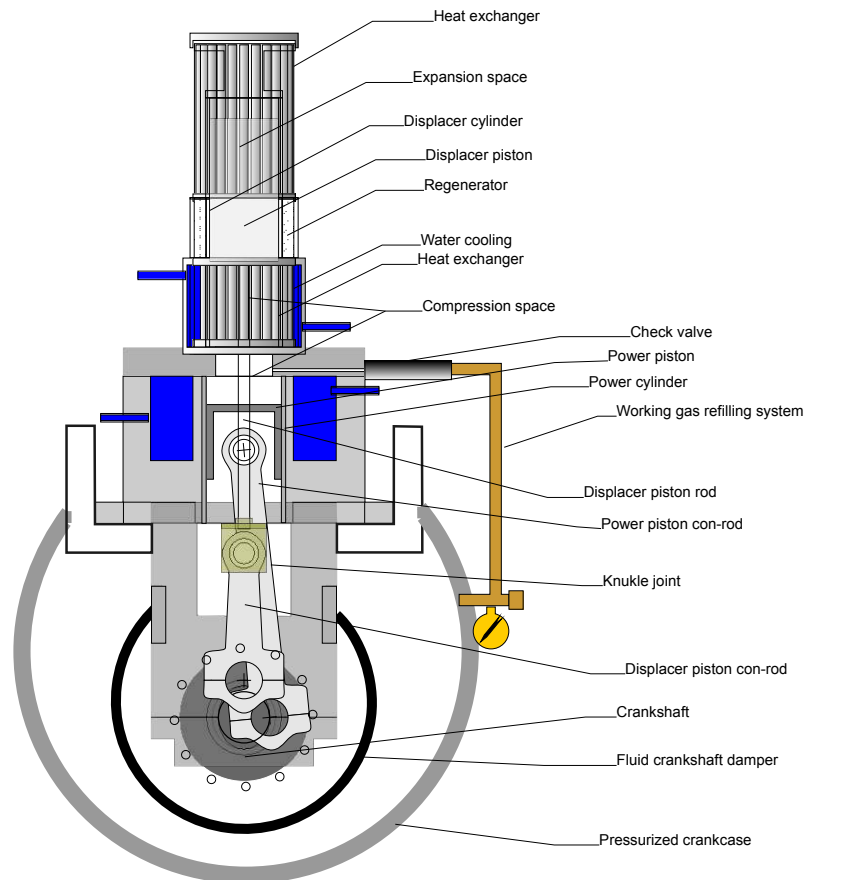
The engines are prototypes made for educational and development use and are sold for similar use.

Permanent magnet motor/generator included Delivery ex works Milan

Delivery time: 40 working days from order

Packaging: carton + pallet with protective foam polyurethane (Included).

Payment : 30% at order, 70% at delivery after test in our laboratory



8 7 6 5 4 3 2 1

D

D

C

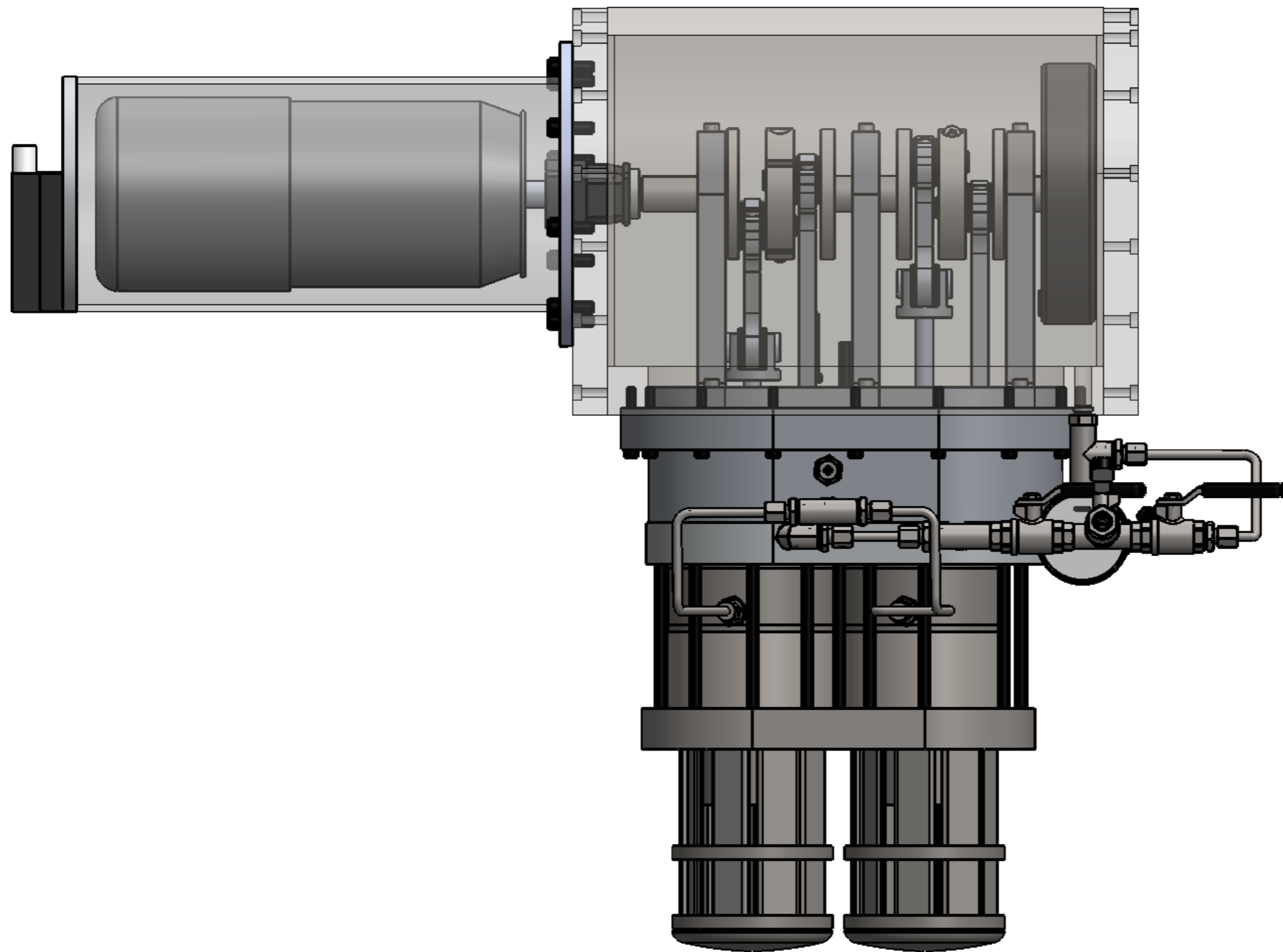
C

B


B

A

A



PROPRIETARY AND CONFIDENTIAL
 THE INFORMATION CONTAINED IN THIS DRAWING IS THE SOLE PROPERTY OF **Genoastirling srl**. ANY REPRODUCTION IN PART OR AS A WHOLE WITHOUT THE WRITTEN PERMISSION OF **Genoastirling srl** IS PROHIBITED.

		UNLESS OTHERWISE SPECIFIED:		NAME	DATE	 Genoastirling s.r.l.
		DIMENSIONS ARE IN mm		DRAWN		
		TOLERANCES:		CHECKED		TITLE: Bicilindro_1Kw_monoflangia_disegni per bro
		FRACTIONAL ±		ENG APPR.		
		ANGULAR: MACH ± BEND ±		MFG APPR.		SIZE DWG. NO. REV B
		TWO PLACE DECIMAL ±		Q.A.		
		THREE PLACE DECIMAL ±		COMMENTS:		SCALE: 1:10 <small>WEIGHT:</small> SHEET 1 OF 4
		INTERPRET GEOMETRIC TOLERANCING PER:				
		MATERIAL				
		FINISH				
		DO NOT SCALE DRAWING				
	NEXT ASSY	USED ON				
	APPLICATION					

8 7 6 5 4 3 2 1

8

7

6

5

4

3

2

1

D

D

C

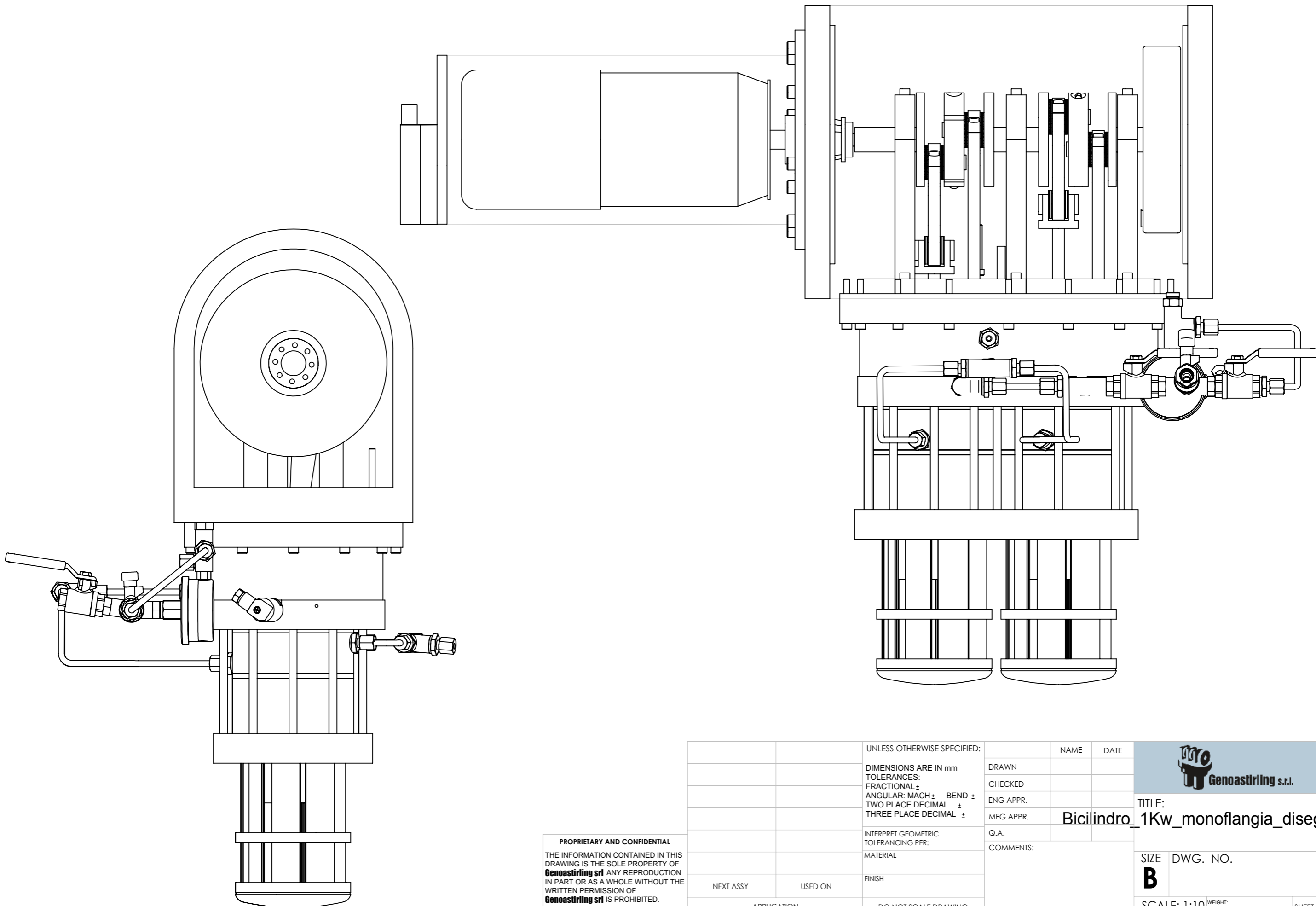
C

B


B

A

A



PROPRIETARY AND CONFIDENTIAL
 THE INFORMATION CONTAINED IN THIS DRAWING IS THE SOLE PROPERTY OF **Genoastirling srl**. ANY REPRODUCTION IN PART OR AS A WHOLE WITHOUT THE WRITTEN PERMISSION OF **Genoastirling srl** IS PROHIBITED.

		UNLESS OTHERWISE SPECIFIED:		NAME	DATE	 Genoastirling s.r.l.		
		DIMENSIONS ARE IN mm		DRAWN				
		TOLERANCES:		CHECKED				
		FRACTIONAL ±		ENG APPR.				
		ANGULAR: MACH ± BEND ±		MFG APPR.				
		TWO PLACE DECIMAL ±		Q.A.				
		THREE PLACE DECIMAL ±		COMMENTS:				
		INTERPRET GEOMETRIC TOLERANCING PER:		Bicilindro_1Kw_monoflangia_disegni per bro		TITLE:		
		MATERIAL				SIZE	DWG. NO.	REV
		FINISH				B		
NEXT ASSY	USED ON					SCALE: 1:10	WEIGHT:	SHEET 2 OF 4
APPLICATION		DO NOT SCALE DRAWING						

8

7

6

5

4

3

2

1

8 7 6 5 4 3 2 1

D

D

C

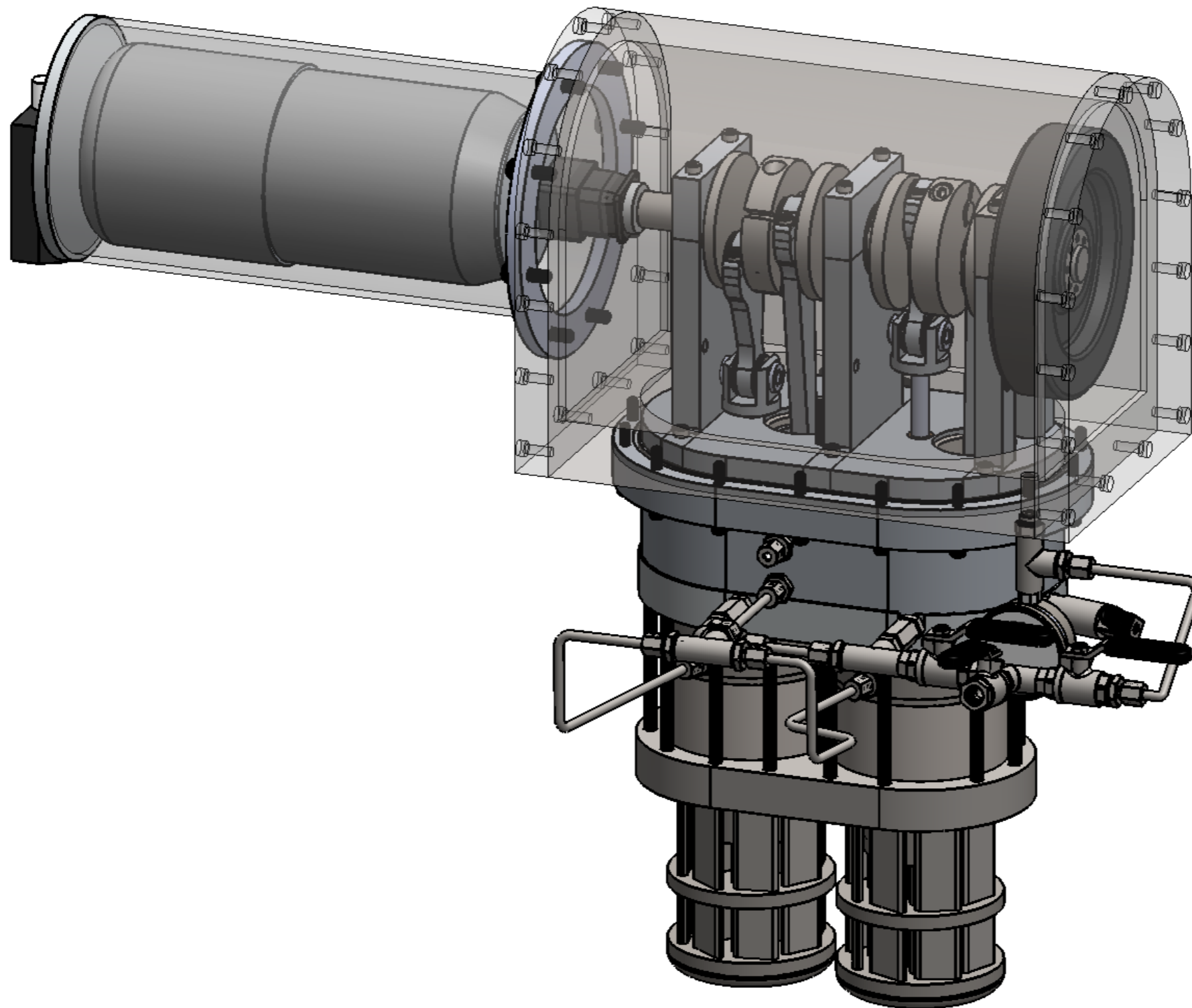
C

B


B

A

A



PROPRIETARY AND CONFIDENTIAL
 THE INFORMATION CONTAINED IN THIS DRAWING IS THE SOLE PROPERTY OF **Genoastirling srl**. ANY REPRODUCTION IN PART OR AS A WHOLE WITHOUT THE WRITTEN PERMISSION OF **Genoastirling srl** IS PROHIBITED.

		UNLESS OTHERWISE SPECIFIED:		NAME	DATE	 Genoastirling s.r.l.
		DIMENSIONS ARE IN mm		DRAWN		
		TOLERANCES:		CHECKED		
		FRACTIONAL ±		ENG APPR.		
		ANGULAR: MACH ± BEND ±		MFG APPR.		
		TWO PLACE DECIMAL ±		Q.A.		
		THREE PLACE DECIMAL ±		COMMENTS:		TITLE: Bicilindro_1Kw_monoflangia_disegni per bro
		INTERPRET GEOMETRIC TOLERANCING PER:				SIZE DWG. NO. B
		MATERIAL				SCALE: 1:10 <small>WEIGHT:</small>
		FINISH				SHEET 3 OF 4
NEXT ASSY	USED ON					REV
APPLICATION		DO NOT SCALE DRAWING				

8 7 6 5 4 3 2 1

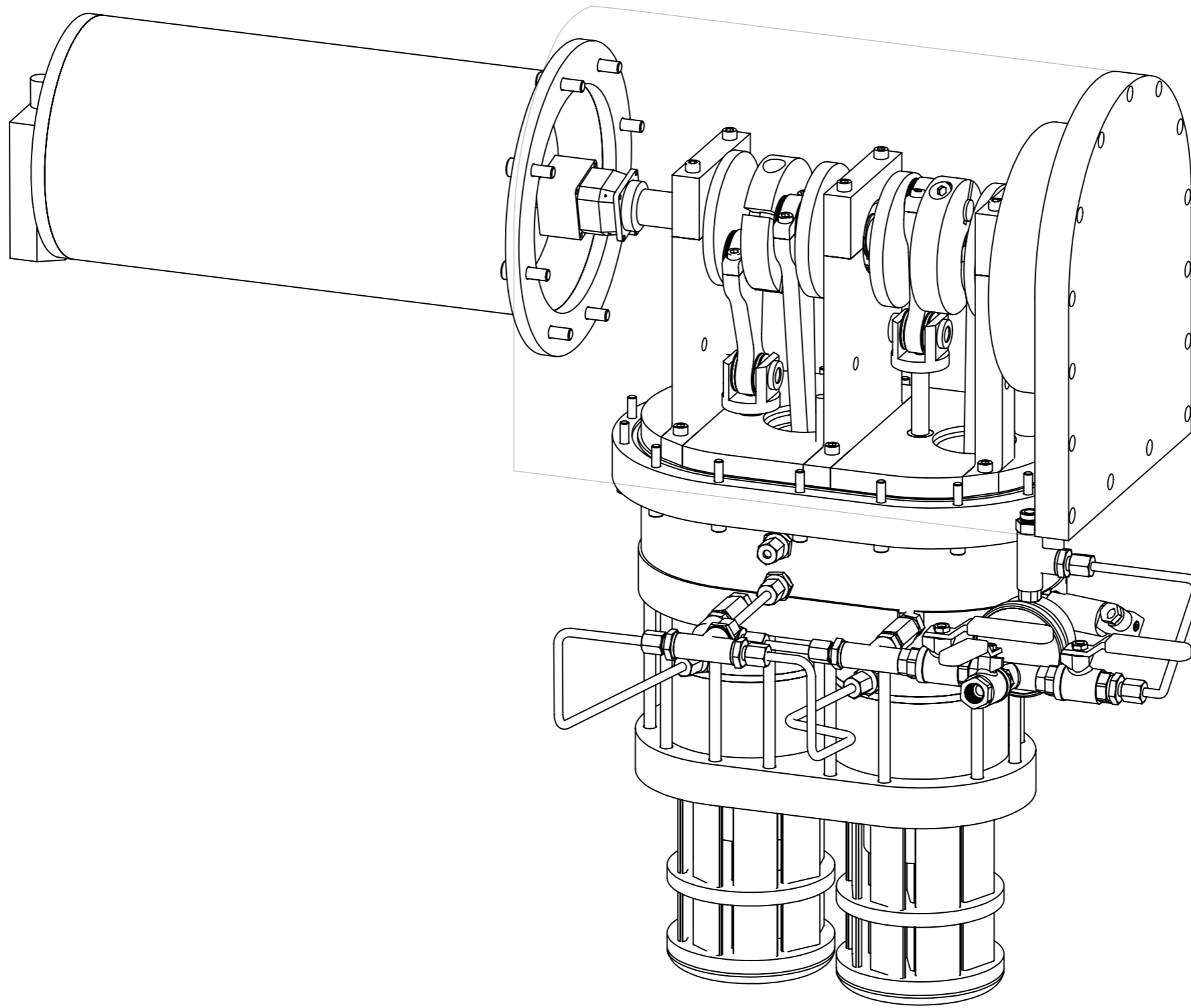
8 7 6 5 4 3 2 1

D

C

B

A




D

C

B

A

PROPRIETARY AND CONFIDENTIAL
 THE INFORMATION CONTAINED IN THIS DRAWING IS THE SOLE PROPERTY OF **Genoastirling srl**. ANY REPRODUCTION IN PART OR AS A WHOLE WITHOUT THE WRITTEN PERMISSION OF **Genoastirling srl** IS PROHIBITED.

		UNLESS OTHERWISE SPECIFIED:		NAME	DATE	 Genoastirling s.r.l.
		DIMENSIONS ARE IN mm		DRAWN		
		TOLERANCES:		CHECKED		
		FRACTIONAL ±		ENG APPR.		
		ANGULAR: MACH ± BEND ±		MFG APPR.		
		TWO PLACE DECIMAL ±		Q.A.		
		THREE PLACE DECIMAL ±		COMMENTS:		
		INTERPRET GEOMETRIC TOLERANCING PER:				TITLE:
		MATERIAL				Bicilindro_1Kw_monoflangia_disegni per bro
		FINISH				SIZE DWG. NO.
		DO NOT SCALE DRAWING				B
						SCALE: 1:10 <small>WEIGHT:</small>
						SHEET 4 OF 4

8 7 6 5 4 3 2 1